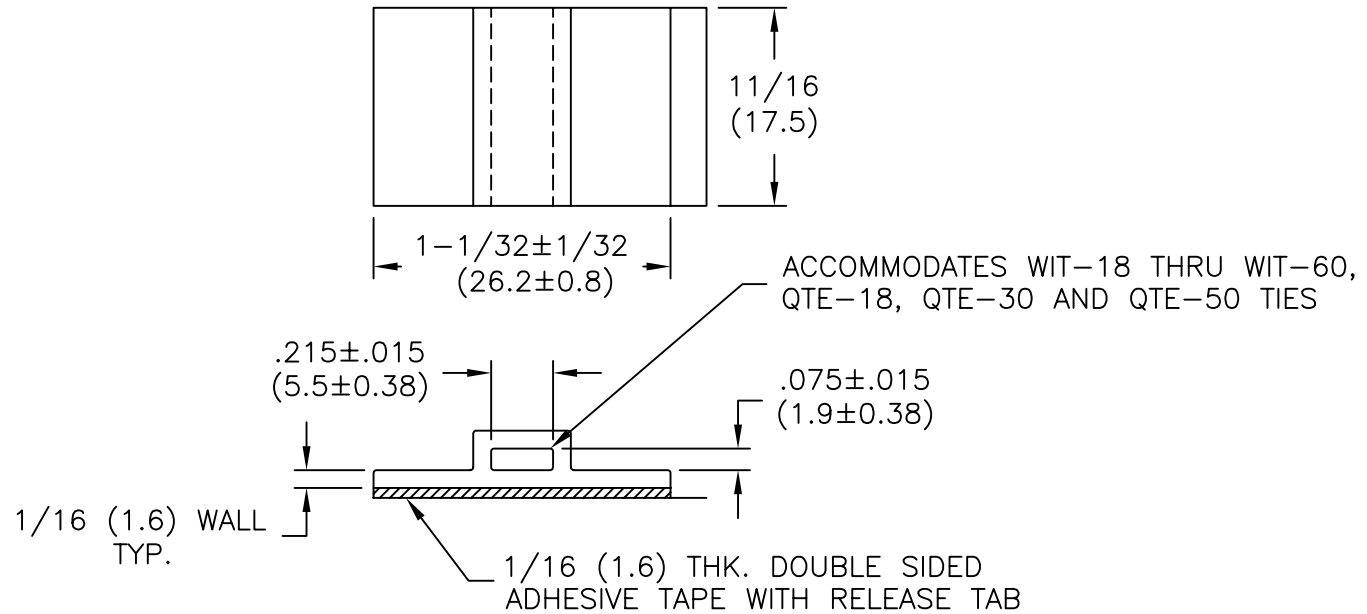


PART NO.	
W/TAPE	FTH-2A-RT
W/O TAPE	FTH-2



NOTES:

1. MAT'L: NORYL (RMS-05).
2. COLOR: WHITE.
3. ACRYLYC ADHESIVE TAPE (RMS-15), WHITE LINER.

TITLE: WIRE TIE HOLDER			DWG IN IN (MM)		FINAL			
E	SEE ECN #1124 FOR CHANGES	SK 01.24.06	TOLERANCES UNLESS NOTED	FILE # FTH-2	DWN: P.B.	APP:	PART #	
D	UPDATED MAT'L NOTES AND CHANGED FILE NO.	SM 03.18.02	.XX=±.010	MAT'L: SEE NOTES	DT: 06/27/94	DT:	SEE TABLE	
C	ALL NOTES UPDATED	J.L. 12.22.99	.XXX=±.005	RE: RICHCO, INC.	RICHCO INC.		PRINT TYPE	
B	NOTE 2 ADDED	PB 07.26.95	FRAC=±1/64	PO BOX 804238, CHICAGO, 60680		CA		
A	CONVERTED TO ACAD	PB 06.27.94	ANG=±1°	(773) 539-4060				
REV	DESCRIPTION	ENGR DATE						